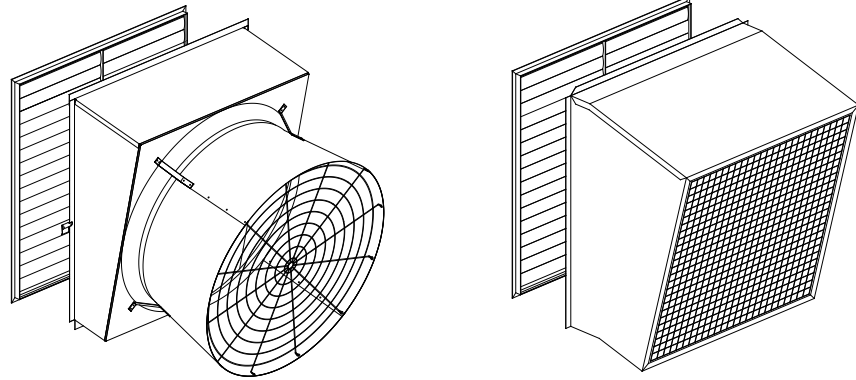


Technical Specifications

apex™ Fans with tilt housing 36" 48" and 51"



Dimensional Data:

Fan Series	Size	A	B	C	D	E	Wall Openings (W.O.)
T	36"	45 ¹ / ₄ "W. x 45 ³ / ₄ "H.	6"	34"	3 ¹ / ₄ "	---	43"W. x 45"H.
TC	36"	45 ¹ / ₄ "W. x 45 ³ / ₄ "H.	6"	46 ¹³ / ₁₆ "	9 ³ / ₁₆ "	22 ³ / ₄ "	43"W. x 45"H.
T	48"	57 ¹ / ₄ "W. x 58 ¹ / ₄ "H.	6"	36 ¹ / ₂ "	4"	---	55"W. x 57 ¹ / ₂ "H.
TC	48"	57 ³ / ₁₆ "W. x 59 ¹ / ₄ "H.	---	49 ⁵ / ₁₆ "	7 ⁷ / ₈ "	21 ³ / ₄ "	55"W. x 56 ¹ / ₄ "H.
TC	51"	59 ¹ / ₈ "W. x 61 ¹ / ₄ "H.	---	51 ³ / ₈ "	7 ⁷ / ₁₆ "	27 ³ / ₄ "	57"W. x 58 ¹ / ₄ "H.

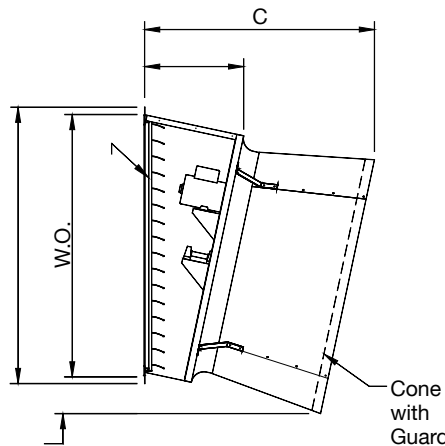
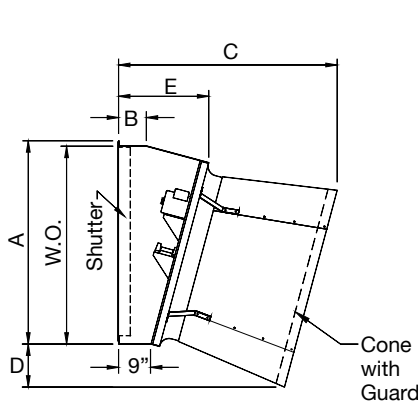
Features:

Fan Packages shown with standard features; customized packages available, contact your Aerotech Representative or the Aerotech office.

Galvanized tilt with cone (TC Series)

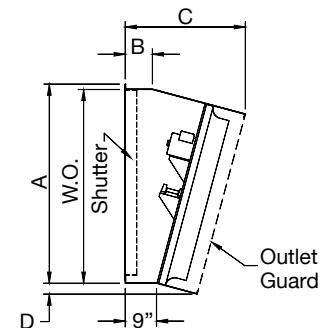
36" TC

48" and 51" TC



Galvanized tilt with guard (T Series)

36" and 48" T



Abbreviations:

- SS = Single Speed
- VR = Variable Speed
- FQ = Frequency Drive Control
- SF = Service Factor
- SF Amps = Service Factor Amps

Technical Data: 60Hz shown (50Hz available for most fans)

Size	Drive	Speed	HP	Phase	Voltage	SF	SF Amps	Prop. RPM
36"	Direct	SS	1/2	1	230/115	1.0	3.5/7.0	825
36"	Direct	SS	1/2	3	460/230	1.0	1.3/2.6	825
36"	Direct	SS or VR	1/2	1	230/115	1.0	3.3/6.6	850
36"	Direct	SS	1	1	230	1.0	5.1	850
36"	Belt	SS	1/2	1	230/115	1.3	3.0/6.0	770
36"	Belt	SS or FQ	1/2	3	460/200-230	1.3	1.0/2.1-2.0	770
48"/51"	Belt	SS	1	1	208-230/115	1.4	6.6-6.0/11.9	570/550
48"/51"	Belt	SS or FQ	1	3	460/200-230	1.3	2.0/4.2-4.0	570/550
48"/51"	Belt	SS	1-1/2	1	230/115	1.0	8.5/17.0	625/595
48"/51"	Belt	SS or FQ	1-1/2	3	460/200-230	1.15	2.4/4.8-4.7	625/595
48"	Belt	SS	2	1	208-230	1.2	11.7-10.1	695



Technical Specifications

apex™ Fans with tilt housing

Performance Data:

Fan only, no accessories

Catalog No.	Max. BHP	0.0" SP		0.05" SP		0.10" SP		0.125" SP		0.15" SP		0.20" SP	
		CFM	CFM Watt	CFM	CFM Watt	CFM	CFM Watt	CFM	CFM Watt	CFM	CFM Watt	CFM	CFM Watt
AX36G	0.56	10,290	18.0	9,580	16.2	8,860	14.7	8,470	14.0	8,070	13.2	7,140	11.6
AX36D1G	0.47	13,960	14.4	13,240	13.5	12,470	12.6	12,100	12.2	11,720	11.7	10,840	10.8
AX365G	0.69	11,770	19.3	11,110	17.6	10,360	16.0	9,940	15.3	9,510	14.6	8,600	13.1
AX361G	1.40	15,570	11.9	15,070	11.4	14,460	10.7	13,900	10.2	13,340	9.7	13,330	9.6
AX481G	1.33	23,200	20.1	21,970	18.6	20,640	17.1	19,990	16.5	19,330	15.8	17,840	14.6
AX4815G	1.69	25,020	17.0	23,800	15.8	22,640	14.8	22,030	14.3	21,420	13.8	20,090	12.9
AX482G	2.10	26,770	13.7	25,790	12.9	24,490	12.1	23,960	11.7	23,420	11.2	22,260	10.7
AX511G	1.50	26,050	19.9	24,590	18.2	23,020	16.7	22,240	16.1	21,460	15.4	19,770	14.2
AX5115G	1.80	27,820	17.2	26,460	16.1	25,030	15.0	24,210	14.4	23,390	13.8	21,890	12.9

Fan complete with Tilt Housing, Discharge Cone, Guard and Plastic Inlet Shutter

Catalog No.	Max. BHP	0.0" SP		0.05" SP		0.10" SP		0.125" SP		0.15" SP		0.20" SP	
		CFM	CFM Watt	CFM	CFM Watt	CFM	CFM Watt	CFM	CFM Watt	CFM	CFM Watt	CFM	CFM Watt
AX36TxCP	0.56	11,550	20.1	10,690	17.9	9,740	15.7	9,170	14.6	8,600	13.5	8,000	12.5
AX365TxCP	0.72	12,570	21.9	11,730	19.5	10,760	17.1	10,200	16.1	9,640	15.0	8,320	12.8
AX481TxCP	1.36	25,500	22.8	24,200	20.7	22,700	18.6	21,800	17.7	20,900	16.8	18,700	14.8
AX4815TxCP	1.76	26,750	18.4	25,470	16.8	24,030	15.4	23,270	14.9	22,510	14.4	21,500	12.6
AX482TxCP	2.30	28,030	14.7	27,000	13.8	25,860	12.9	23,800	11.5	24,560	12.0	23,060	11.0
AX511TxCP	1.30	26,500	23.5	25,100	21.4	23,300	19.1	22,250	18.0	21,200	16.9	18,700	14.7
AX5115TxCP	1.66	28,300	20.5	26,900	18.7	25,100	16.9	24,200	16.1	23,300	15.3	21,100	13.6

Fan complete with Tilt Housing, Outlet Guard and Plastic Inlet Shutter

Catalog No.	Max. BHP	0.0" SP		0.05" SP		0.10" SP		0.125" SP		0.15" SP		0.20" SP	
		CFM	CFM Watt	CFM	CFM Watt	CFM	CFM Watt	CFM	CFM Watt	CFM	CFM Watt	CFM	CFM Watt
AX36TxP	0.55	10,500	17.5	9,900	15.8	9,000	14.3	8,600	13.7	8,100	13.0	6,800	10.7
AX365TxP	0.75	11,500	17.7	10,600	15.9	9,700	14.5	9,300	13.7	8,900	13.0	8,000	11.1
AX481TxP	1.38	21,700	18.5	20,300	17.0	19,000	15.7	18,150	15.0	17,300	14.3	15,400	12.7
AX4815TxP	1.81	23,000	14.0	21,800	13.2	20,500	12.4	20,300	12.1	20,100	11.9	19,800	11.3

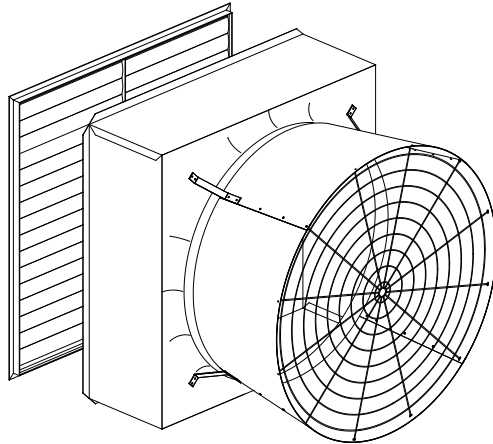
Fan complete with Tilt Housing, Outlet Guard and Aluminum Inlet Shutter

Catalog No.	Max. BHP	0.0" SP		0.05" SP		0.10" SP		0.125" SP		0.15" SP		0.20" SP	
		CFM	CFM Watt	CFM	CFM Watt	CFM	CFM Watt	CFM	CFM Watt	CFM	CFM Watt	CFM	CFM Watt
AX36TxA	0.55	10,900	18.3	10,200	16.6	9,300	14.8	8,800	14.0	8,300	13.2	7,100	11.2
AX365TxA	0.74	11,700	18.5	10,800	16.4	10,000	15.0	9,500	14.1	9,000	13.2	8,100	11.4
AX481TxA	1.31	22,000	18.9	20,600	17.4	19,100	15.9	18,300	15.2	17,500	14.5	15,600	12.9
AX4815TxA	1.76	23,900	15.1	22,700	14.2	21,200	13.1	20,900	12.7	20,600	12.4	20,000	11.7

Note:

1. Speed (RPM) shown is nominal. Performance is based on actual test speed.
2. BHP values shown include all drive losses.
3. CFM/Watt values shown are based on actual Watt input measurements with single-phase motors. CFM/Watt values include all drive losses.

apex™ Fans with straight housing
36" 48"



Technical Specifications

- Cast aluminum propeller is standard
- Coated Outlet Guard
- Galvanized Housing and Discharge Cone
- Plastic Inlet Shutter is standard
- Galvanized hardware and fasteners
- Belt Drive models are Single Speed

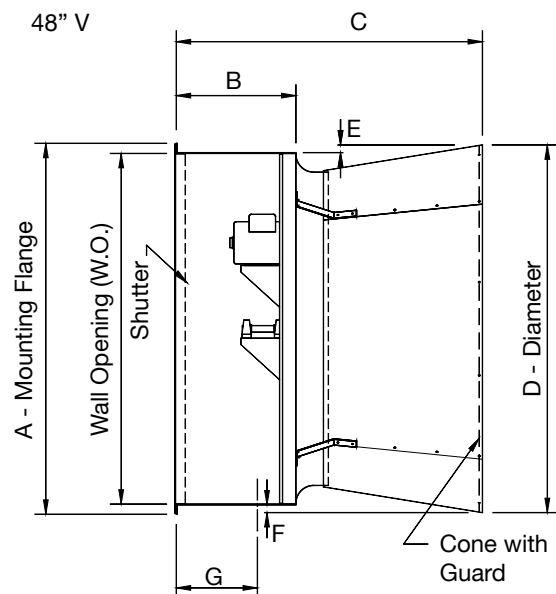
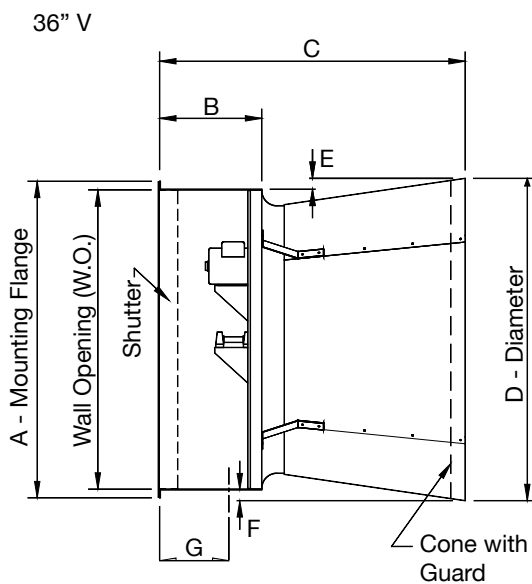
Fan Packages shown with standard features; customized packages available, contact your Aerotech Representative or the Aerotech office



Dimensional Data:

Galvanized straight with cone (V Series)

Fan Series	Size	A	B	C	D	E above W.O.	F below W.O.	G	Wall Openings (W.O.)
V	36"	45"W. x 45"H.	18 ⁵ / ₈ "	46 ³ / ₈ "	43 ¹ / ₂ "	1 ¹ / ₂ "	1 ¹ / ₂ "	12 ¹ / ₂ "	43" x 43" sq.
V	48"	57"W. x 57"H.	18 ⁵ / ₈ "	47 ³ / ₁₆ "	56"	1 ¹ / ₄ "	1 ¹ / ₄ "	12 ¹ / ₂ "	55" x 55" sq.



Technical Specifications

apex™ Fans with straight housing

Technical Data: 60Hz shown (50Hz available for most fans)

Size	Drive	Speed	HP	Phase	Voltage	SF	SF Amps	Prop. RPM
36"	Direct	SS	1/2	1	230/115	1.0	3.5/7.0	825
36"	Direct	SS	1/2	3	460/230	1.0	1.3/2.6	825
36"	Direct	SS or VR	1/2	1	230/115	1.0	3.3/6.6	850
36"	Direct	SS	1	1	230	1.0	5.1	850
36"	Belt	SS	1/2	1	230/115	1.3	3.0/6.0	770
36"	Belt	SS or FQ	1/2	3	460/200-230	1.3	1.0/2.1-2.0	770
48"/51"	Belt	SS	1	1	208-230/115	1.4	6.6-6.0/11.9	570/550
48"/51"	Belt	SS or FQ	1	3	460/200-230	1.3	2.0/4.2-4.0	570/550
48"/51"	Belt	SS	1-1/2	1	230/115	1.0	8.5/17.0	625/595
48"/51"	Belt	SS or FQ	1-1/2	3	460/200-230	1.15	2.4/4.8-4.7	625/595
48"	Belt	SS	2	1	208-230	1.2	11.7-10.1	695

Abbreviations:
 SS = Single Speed
 VR = Variable Speed
 FQ = Frequency Drive Control
 SF = Service Factor
 SF Amps = Service Factor Amps

Performance Data:

Fan only, no accessories

Catalog No.	Max. BHP	0.0" SP		0.05" SP		0.10" SP		0.125" SP		0.15" SP		0.20" SP	
		CFM	CFM Watt	CFM	CFM Watt	CFM	CFM Watt	CFM	CFM Watt	CFM	CFM Watt	CFM	CFM Watt
AX36G	0.56	10,290	18.0	9,580	16.2	8,860	14.7	8,470	14.0	8,070	13.2	7,140	11.6
AX36D1G	0.47	13,960	14.4	13,240	13.5	12,470	12.6	12,100	12.2	11,720	11.7	10,840	10.8
AX365G	0.69	11,770	19.3	11,110	17.6	10,360	16.0	9,940	15.3	9,510	14.6	8,600	13.1
AX361G	1.40	15,570	11.9	15,070	11.4	14,460	10.7	13,900	10.2	13,340	9.7	13,330	9.6
AX481G	1.33	23,200	20.1	21,970	18.6	20,640	17.1	19,990	16.5	19,330	15.8	17,840	14.6
AX4815G	1.69	25,020	17.0	23,800	15.8	22,640	14.8	22,030	14.3	21,420	13.8	20,090	12.9
AX482G	2.10	26,770	13.7	25,790	12.9	24,490	12.1	23,960	11.7	23,420	11.2	22,260	10.7
AX511G	1.50	26,050	19.9	24,590	18.2	23,020	16.7	22,240	16.1	21,460	15.4	19,770	14.2
AX5115G	1.80	27,820	17.2	26,460	16.1	25,030	15.0	24,210	14.4	23,390	13.8	21,890	12.9

Fan complete with Straight Housing, Discharge Cone and Plastic Inlet Shutter

Catalog No.	Max. BHP	0.0" SP		0.05" SP		0.10" SP		0.125" SP		0.15" SP		0.20" SP	
		CFM	CFM Watt	CFM	CFM Watt	CFM	CFM Watt	CFM	CFM Watt	CFM	CFM Watt	CFM	CFM Watt
AX36VxCP	0.56	11,800	20.9	11,000	18.6	10,200	16.6	9,700	15.8	9,300	14.9	7,900	12.4
AX365VxCP	0.73	12,700	21.1	11,800	19.1	11,000	17.0	10,300	15.7	9,600	14.4	8,200	11.8
AX481VxCP	1.35	24,100	21.0	22,600	19.0	21,100	17.4	20,300	16.6	19,500	15.8	16,800	13.5
AX4815VxCP	1.75	26,200	16.8	24,900	15.5	23,400	14.3	22,900	13.9	22,300	13.4	21,200	12.5

Fan complete with Straight Housing, Discharge Cone and Aluminum Shutter

Catalog No.	Max. BHP	0.0" SP		0.05" SP		0.10" SP		0.125" SP		0.15" SP		0.20" SP	
		CFM	CFM Watt	CFM	CFM Watt	CFM	CFM Watt	CFM	CFM Watt	CFM	CFM Watt	CFM	CFM Watt
AX36VxCA	0.55	12,200	21.9	11,400	19.6	10,500	17.2	10,000	16.2	9,500	15.1	8,300	13.0
AX365VxCA	0.72	12,900	22.1	12,100	20.1	11,200	17.6	10,500	16.1	9,700	14.6	8,300	12.1
AX481VxCA	1.33	25,000	22.7	23,500	20.5	21,800	18.4	20,900	17.5	19,900	16.5	17,600	14.4
AX4815VxCA	1.71	27,200	18.2	25,900	16.7	24,200	15.1	23,500	14.6	22,800	14.0	21,400	12.9

NOTE:

- Speed (RPM) shown is nominal. Performance is based on actual test speed.
- BHP values shown include all drive losses.
- CFM/Watt values shown are based on actual Watt input measurements with single-phase motors. CFM/Watt values include all drive losses.

BDX-TS r4 © Copyright February 2009

Munters Corporation

4215 Legion Drive Mason, MI 48854-1036 USA
 Toll-free: 800-227-2376 Local: 517-676-7070 Fax: 517-676-7078
 Email: aerotech@munters.com Web: www.munters.us/aerotech

